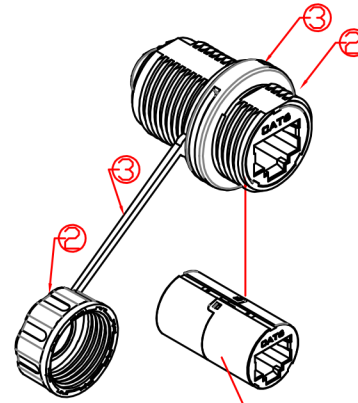
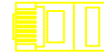
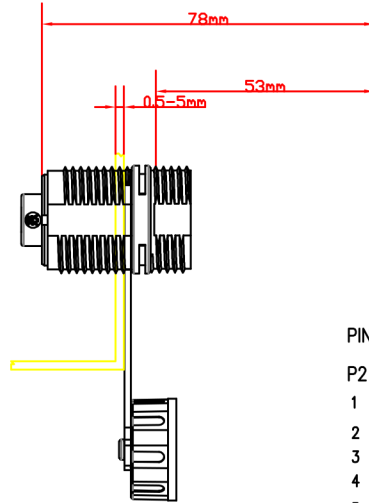
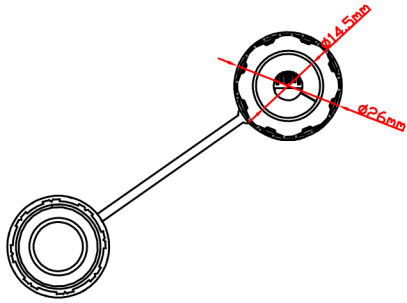
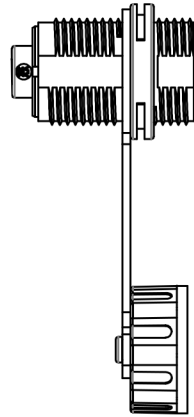
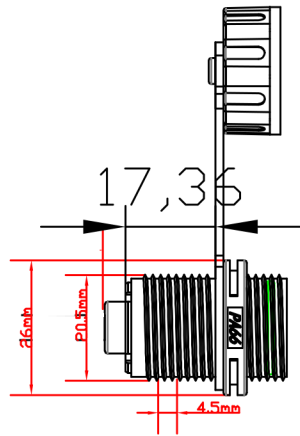
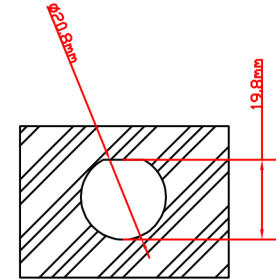


IP68



⊕ Zinc alloy CAT6 module



CUSTOMER NO:  
YPM20-RJ45-C11

REMARK

NO.	Product name	Unit
1	Zinc alloy CAT6 module	pcs
2	NYLON PA66	pcs
3	0-type silicone ring21*17*2	pcs
4	Circular rubber ring	pcs
5	RJ45 Shielded Connector	pcs
6		pcs

PINOUT:

P2	P1
1	1
2	2
3	3
4	4
5	5
6	6
7	7
8	8
s	s

REV.	DESCRIPTION	DATE										
A	FIEST EDITION	11/01/19										
ECR	DESCRIPTION	C.N.										
<p>YXY</p> <p>DONGGUAN FANGBEI ELECTRONICS CO., LTD</p> <p>POWER CABLE</p>												
<p>UNLESS OTHERWISE SPECIFIED: DIMENSIONS ARE IN MILLIMETERS ANGULAR TOLERANCE: ±1.0°</p> <table border="1"> <thead> <tr> <th>DIMENSIONS</th> <th>TOLERANCE</th> </tr> </thead> <tbody> <tr> <td>0.00 TO 30.00mm</td> <td>±0.10mm</td> </tr> <tr> <td>30.01 TO 80.00mm</td> <td>±0.13mm</td> </tr> <tr> <td>80.01 TO 150.00mm</td> <td>±0.15mm</td> </tr> <tr> <td>150.01mm</td> <td>±0.20mm</td> </tr> </tbody> </table>			DIMENSIONS	TOLERANCE	0.00 TO 30.00mm	±0.10mm	30.01 TO 80.00mm	±0.13mm	80.01 TO 150.00mm	±0.15mm	150.01mm	±0.20mm
DIMENSIONS	TOLERANCE											
0.00 TO 30.00mm	±0.10mm											
30.01 TO 80.00mm	±0.13mm											
80.01 TO 150.00mm	±0.15mm											
150.01mm	±0.20mm											
MATERIAL		MATERIAL										
FINISH		FINISH										
SCALE	SHEET 1/1	UNIT CM										
SIZE	A4	REV. A										