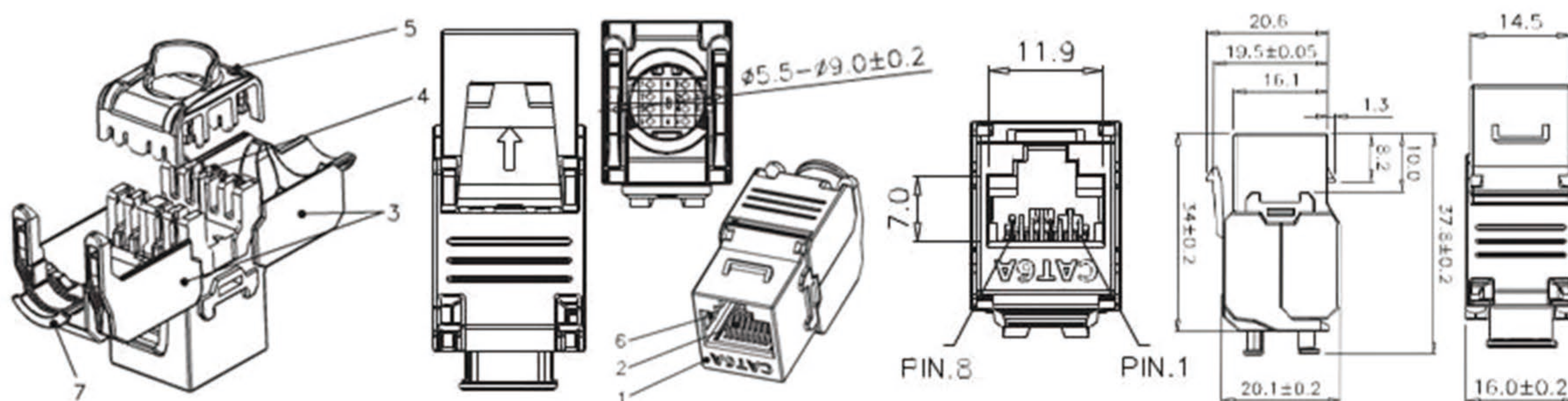


LINE STP CAT6 KEYSTONE JACK RJ45/S

Genuine Cat.6A interoperable component!



Features

High performance Cat 6A fully shielded (360) keystone jack. Certified according to the newest ISONEC 11801 2nd edition Amendment 2 standard 2010. Compatible with wide portfolio of faceplates, duct and sub-floor systems. Fits easily into back boxes with 30 mm depth (in case of angled faceplates) and 42 mm depth (in case of straight faceplates). Easy, fast and toolless installation. The keystone is suitable for termination of solid as well as stranded wires. High quality, corrosion-resistant, zinc cast housing. Phosphor-bronze alloy contacts are 100 micron of nickel and 50 micron of gold plated.

Application

Primary (Campus), Secondary (Riser), Tertiary (Horizontal)
 IEEE 802.3: 10Base-T, 100Base-T, 1000Base-T, 10GBase-T
 IEEE 802.5 16 MB: ISDN; FDDI; ATM
 High bandwidth digital applications with low BER
 Multimedia transmissions like digital and analog video and voice. For redisco your support.

Standards

ISO/IEC 11801 2nd edition 2002
 ISO/IEC 11801 2nd edition Amedment 2, Category 6,
 ANSI/TIA 568-C2 Category 6A
 EN 50173-1:2007
 IEC 60803-7-51 (including all connecting hardware alien crosstalk parameters)

Mechanical properties

Temperature range	operation	-40°C upto +70°C
	instalation	-10°C upto +60°C
Insertion/Extraction cycles	≤ 750	
IDC Wire Gauge	Solid AWG 24 AWG 22, stranded AWG 26/7- AWG 24/7	
Contacts spring material	high strength phosphor-bronze alloy	
Contacts plating	50 micron of gold plating over 100 micron of nickel	
IDC contacts material	high strength phosphor-bronze alloy	
IDC contacts plating	100 micron tin alloy	
IDC reterminations	≤ 20	