

## Describable

RJ-45 keystone jacks are 8-position 8-conductor (8P8C), support both T568A and T568B wiring and are designed for 22-26 AWG twisted pair cable. We offer many tests to guarantee the quality of every shipment to meet and ensure high performance. Our Cat5e/Cat6/Cat6a/Cat6 total cabling solution products can fulfill your high-speed transmission requirements from telecommunication rooms to work areas.

Material:

Housing: ABS Housing UL94V-0/1/2

IDC Housing: PC UL 94V-0

Spring Wire: Phosphor bronze alloy plated with 3-50 μ in of gold over 70-100 μ in of nickel

Electrical Characteristics

Current Rating: 1.5 A max

Voltage Rating: 150 V

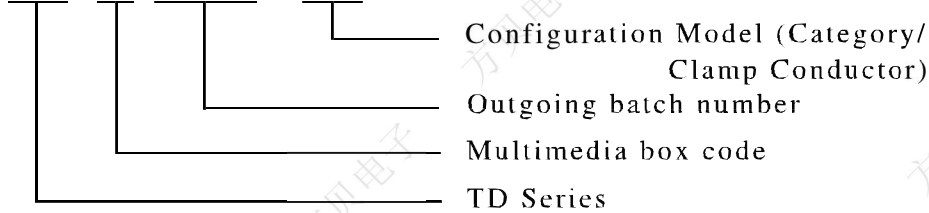
Contact Resistance: 20 mOhm

Insulation Resistance: 500 MOhm

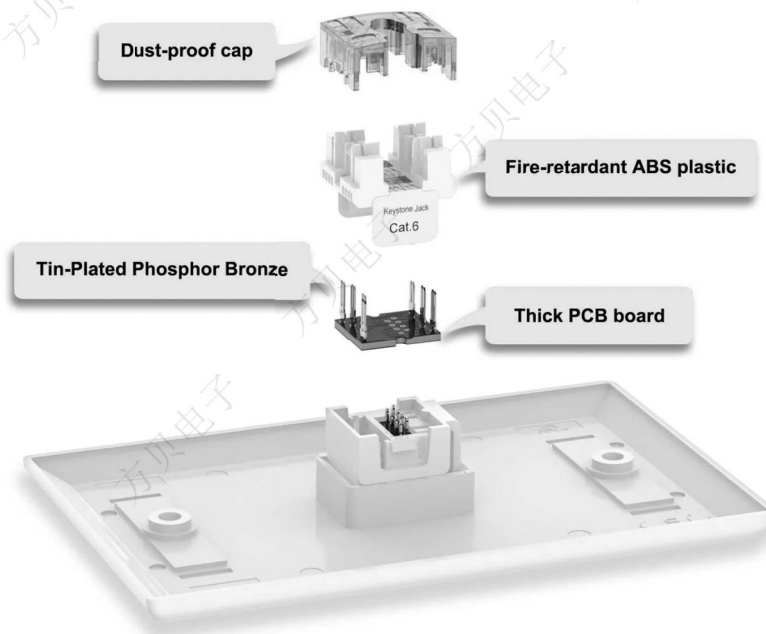
Dielectric withstand voltage: 1000 V AC RMS, 60Hz/1min

## Model Code

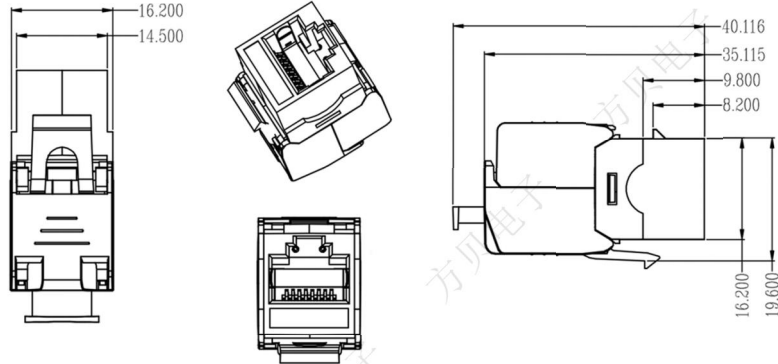
**TD- M 1004 - C3**



## Structure



## Drawing

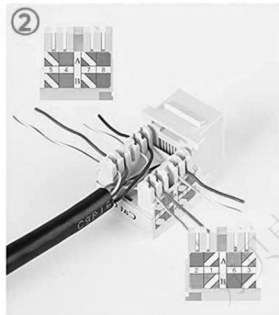


Mechanical and environmental characteristics			
Product Type	Cat5e/Cat6/Cat6a/Cat7 Keystone Jack	Color	White/ Customize
Connector	RJ45 Female	Termination Type	Toolless/Punch Down/ Inline Coupler
Shielding Type	Unshielded/Shield	Wiring Scheme	T568A/T568B
Wire gauge supported	22-26AWG Cable	UL	UL 1863 compliant
Housing Material	ABS	Contact Plating Thickness	3-50u
Operating temperature	-10°C to 60°C	Storage Temperature	-40°C to 70°C
Insertion life	≥1000 mating cycles	Plug Retention Force	89N

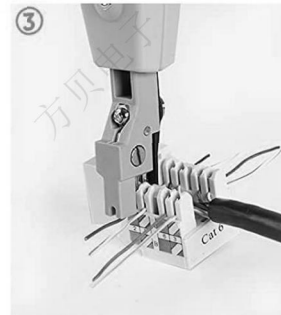
## Wiring



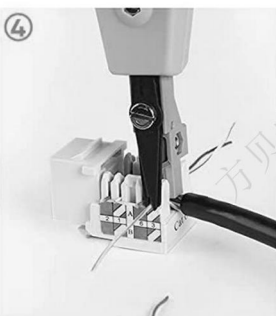
① Separate the wires



② Fix the wires into the keystone jack



③ Pushing the wires into keystone jack



④ Impact & cut wires



⑤ As shown



⑥ Insert the Keystone Wall Plate